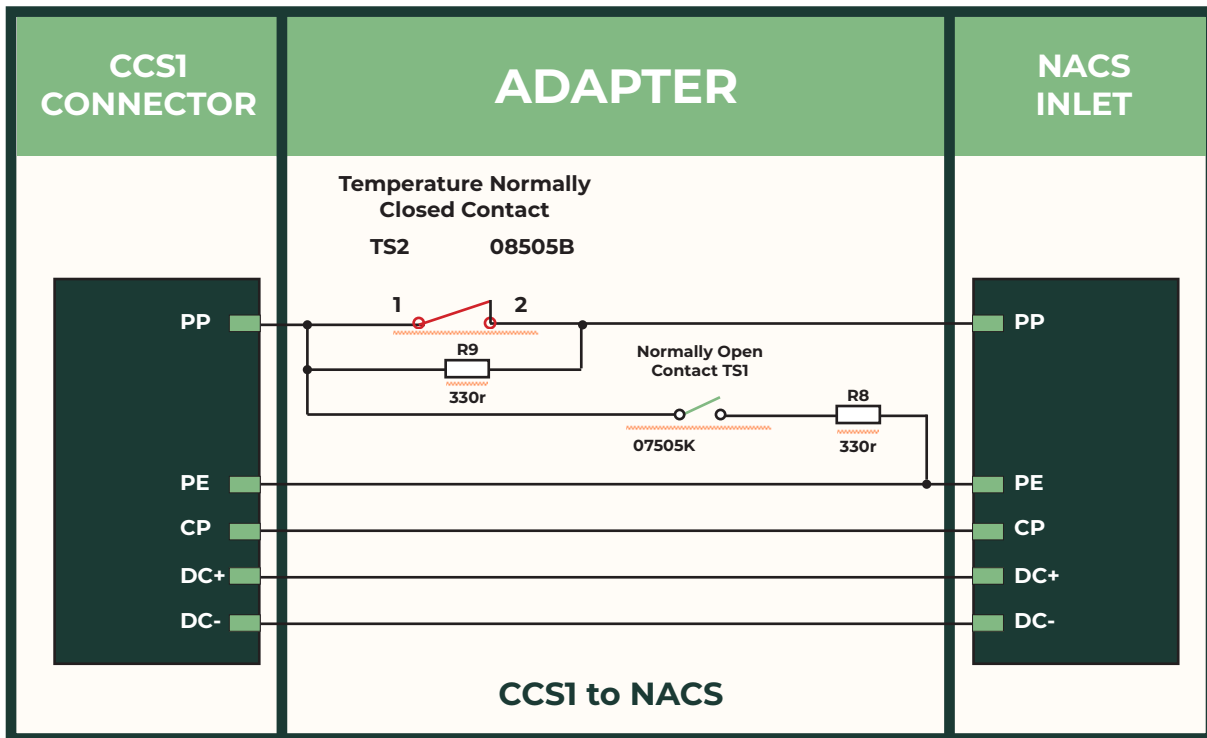
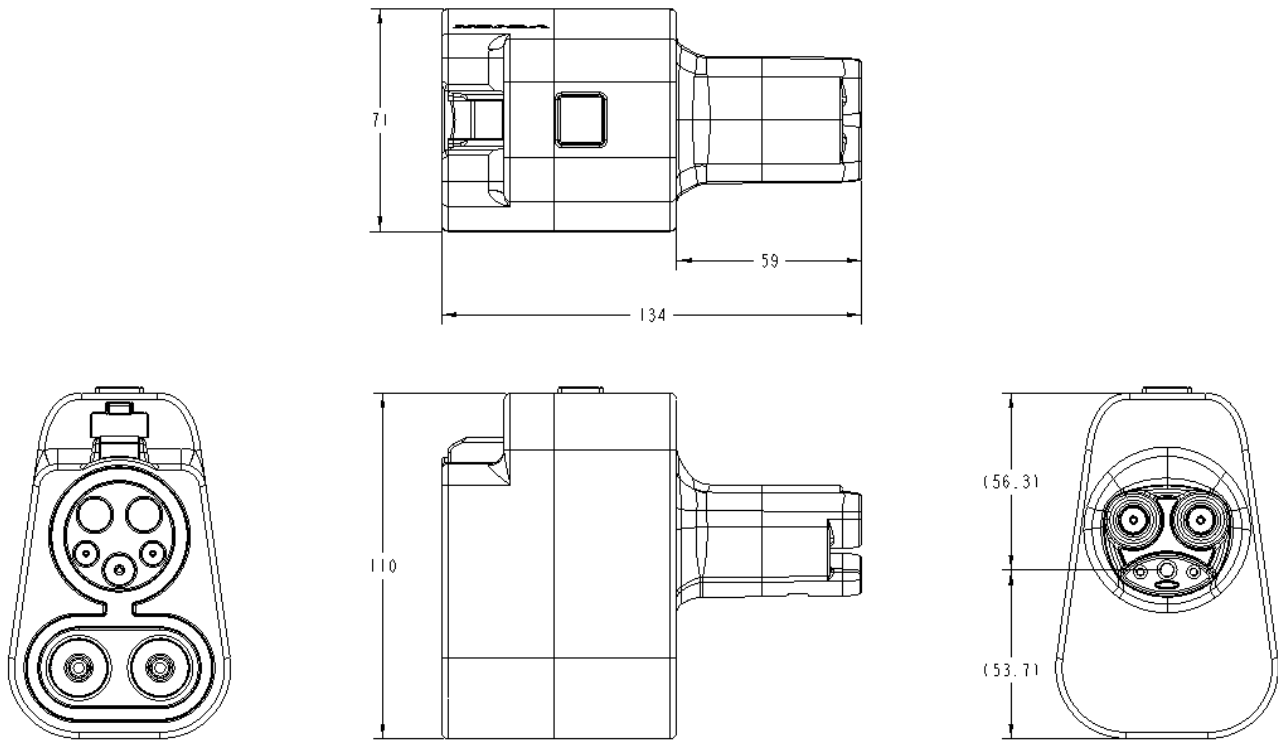


# CCS1 TO NACS EV CHARGING ADAPTER



PRODUCT DEFINITION	
Charging Standard	SAE CCS1, SAE J3400
Standard / Regulations	IEC 62196-2, IEC 62196-3
Approvals & Certification	UL 2252
DIMENSIONS OF ADAPTER	
Width	71.0 mm
Height	110.0 mm
Depth	134.0 mm
ENVIRONMENTAL SPECIFICATIONS	
Ambient Temperature (Operation)	-30°C to +50°C
Ambient Temperature (Storage / Transport)	-40°C to +80°C
Maximum Altitude	3000 m (above sea level)
Operating Humidity	Up to 90% RH, Condensing
Degree of Protection (Mated with Socket / Plug)	IP54
Degree of Protection (Adapter)	IP67 (Unmated)
ELECTRICAL AND MECHANICAL PROPERTIES	
Rated Voltage	1000V DC
Rated Current	Up to 500A
Rated Voltage for Signal Contacts	30V DC
Rated Current for Signal Contacts	2A
Insulation Resistance	≥ 100 MΩ
Temperature Sensor Threshold	85°C
Mating Cycles (CCS1 Inlet and NACS Connector)	≥ 10,000
Insertion Force and Withdrawal Force	< 100 N
Minimum Latching Mechanism Depression Force	10 N
MATERIAL	
Adapter Enclosure	Plastic
Terminal	Copper
Plating	Silver / Nickel Plating or On Request
Flammability Rating	UL 94V-0

**VOLEX CCSI TO NACS ADAPTER MECHANICAL DRAWING**



Contact us at [sales@volex.com](mailto:sales@volex.com) for assistance in finding the right solution for your needs.