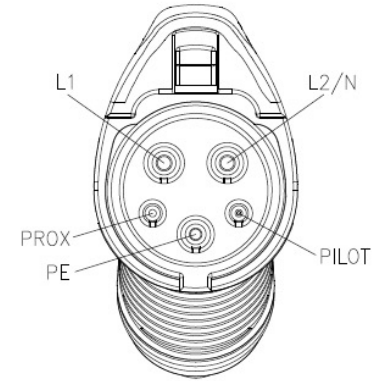
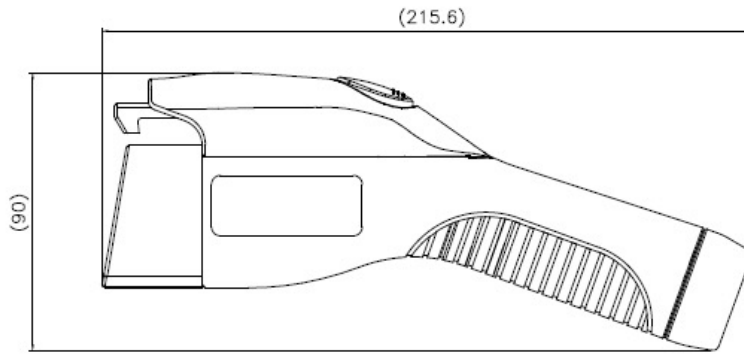
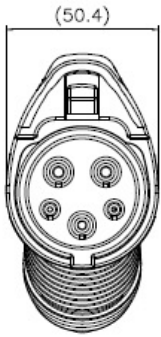


SAE J1772 GEN 1 AC Charging Cable

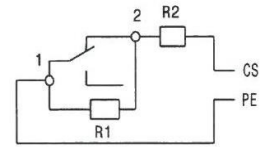


PRODUCT DEFINITION			
Charging Standard	J1772		
Standards / Regulations	UL 2251, CSA C22.2 NO. 282 SAE J1772		
Approval	UR / cUR		
DIMENSIONS: CHARGING CONNECTOR			
Width	50.4 mm		
Height	90 mm		
Depth	215.6 mm		
Cable Length	On Request		
AMBIENT CONDITIONS			
Ambient Temperature (Operation)	-30°C to +50°C		
Ambient Temperature (Storage / Transport)	-40°C to +80°C		
Max. Altitude	5000 m (above sea level)		
Degree of Protection (Unmated)	IP67 / 3R and above		
ELECTRICAL PROPERTIES			
Number of Phases	1		
Rated Voltage for Power Contacts	240V AC		
Rated Current for Power Contacts	16A	32A	48A
Maximum Charging Power	3.84 kW	7.68 kW	11.52 kW
Number of Power Contacts	3 (L1, N, PE)		
Rated Voltage for Signal Contacts	30V AC		
Rated Current for Signal Contacts	2A		
Number of Signal Contacts	2 (CP, PP)		
Note on the Connection Method	Crimp Termination (cannot be disconnected)		
Resistor Coding (between PE and CS)	480 Ω (lever operated) 150 Ω (lever not operated)		
MECHANICAL PROPERTIES			
Mating Cycles	> 10,000		
Insertion Force	< 75 N		
Withdrawal	< 75 N		

SAE J1772 GEN 1 MECHANICAL DRAWING



R1: 330 Ohm
R2: 150 Ohm



MATERIAL		DESIGN	
Material Housing / Handle Area	Plastic	Housing / Handle Area Colour	Black
Material Mating Face	Plastic	Mating Face / Locking Lever Colour	Black
Material Protective Cap	Soft Plastic	Protective Cap Colour	Black
Flammability Rating	V0	Housing with Customer Logo	On Request
Material Contacts	Cu-Alloy		
Plating	Silver Plating		

CABLE				
AMPERAGE	APPROVAL	CABLE STRUCTURE	CABLE O.D.	PHASE
16A	UL Listed	EVC 3 x 14AWG + 1 x 22AWG	10.5 mm	1 Phase
32A	UL Recognised	EVC 3 x 10 AWG + 1 x 22AWG	12.0 mm	
	UL Listed	EVE 3 x 10AWG + 1 x 22AWG	15.8 mm	
48A	UL Recognised	EVC 2 x 8AWG + 1 x 10AWG + 1 x 22AWG	14.5 mm	

** Set Approval is required for UL Recognised

CABLE RESISTANCE AT 20°C			
8AWG	10AWG	14AWG	22AWG
≤ 2.23 Ω/km	≤ 3.51 Ω/km	≤ 8.88 Ω/km	≤ 56.8 Ω/km

Cable Standard	UL 62
Type of Conductor	Straight (or more type on request)
Outer Sheath Material	TPE Compound
Outer Sheath Colour	On Request

ENVIRONMENTAL PRODUCT COMPLIANCE	
REACH SVHC	Compliant
China RoHS	Compliant
EU RoHS	Compliant

Contact us at sales@volex.com
for assistance in finding the right solution for your needs.